

Argon Ar - Data

FLOWMETERS

Argon, Oil Free

Purity: 99.985% Industrial Grade
99.999% UHP Grade

MIL-A-18455C TYPE 1, CGA GRADE A

CYLINDER COLORS: shoulder/body; "GREY"
(1) band; "WHITE"

DESCRIPTION: A colorless, odorless, tasteless, inert gas

VALVE: CGA-580 (up to 3000 psi)
CGA-680 (3001 to 5500 psi)
CGA-677 (5501 to 7500 psi)



SHIPPING DATA

SHIPPING NAME: Argon, Compressed
ID NO: UN1006 DOT Class: 2.2
CAS Registry: 7440-37-1
Molecular Weight: 39.95

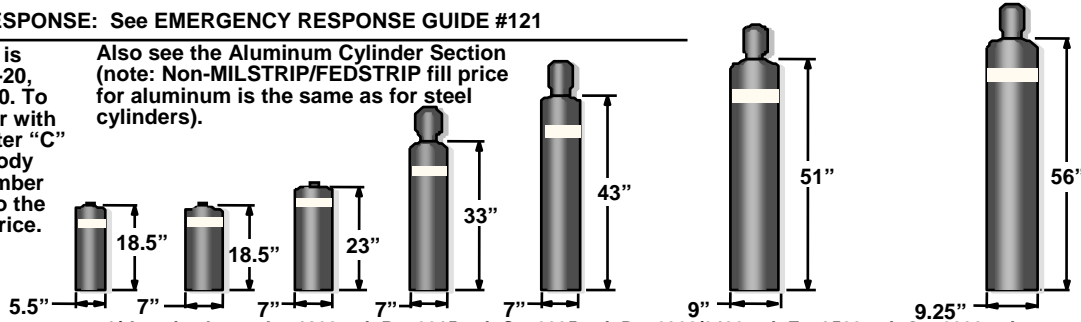
DOT Label: Nonflammable Gas
Flammability Limits: Nonflammable
Specific Volume: 9.7 cf/lb

USES: (1) A Shielding gas for welding (prevents carbon scale)
(2) An inert gas for insulation and blanketing

EMERGENCY RESPONSE: See EMERGENCY RESPONSE GUIDE #121

3/ Collar/cap set is optional on CAR-20, CAR-35 & CAR-50. To specify a cylinder with a cap add the letter "C" at end of the Stoody Cylinder part number and add \$20.00 to the empty cylinder price.

Also see the Aluminum Cylinder Section (note: Non-MILSTRIP/FEDSTRIP fill price for aluminum is the same as for steel cylinders).



Steel Cylinder Styles	20	40	50	80	110	125	200	220	250	300	3500	6000
Tare (empty) weight	10 lb.	23 lb.	30 lb.	40 lb.	55 lb.	55 lb.	105 lb.	114 lb.	115 lb.	135 lb.	180 lb.	270 lb.

Cross Reference Numbers / Prices

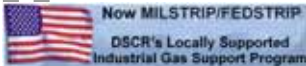
Cylinder Style	GAS Number		GAS Price Ea.	CYLINDER (empty cylinder)			RANGE cf / psi 2/	
	NSN's	1/ Stoody Part No.		NSN's	Stoody Part No.	Price ea.		
20	-	AR-22CF	\$20.00	-	CAR-20	\$87.50	20 - 24	ABC
40 (38)	-	AR-35CF	\$22.00	-	CAR-35	\$97.50	30 - 49	ABC
50	-	AR-50CF	\$25.00	-	CAR-50	\$112.50	50 - 59	ABC
80	-	AR-80CF	\$30.00	-	CAR-80	\$195.00	60 - 99	BC
110	-	AR-110CF	\$35.00	-	CAR-110	\$212.50	100 - 110	2015
125	-	AR-125CF	\$40.00	-	CAR-125	\$218.75	111 - 125	2265
200	-	AR-197CF	\$65.00	-	CAR-C197	\$243.75	190 - 210	1800
200	-	EXAR-197CF	\$70.00	-	See above	-	190 - 210	1800
220	-	AR-220CF	\$72.50	8120004212130	CAR-C220	\$255.00	211 - 230	2015
250	6830009857281	Now MILSTRIP/FEDSTRIP (see below for ordering information) DSCR's Locally Supported Industrial Gas Support Program		8120002828077	Now MILSTRIP/FEDSTRIP (see below for ordering information) DSCR's Locally Supported Industrial Gas Support Program		251	2265
250		EXAR-250CF	\$80.00		-	-	231 - 260	2265
250		AR-250CF	\$75.00		CAR-C250	\$265.00	231 - 260	2265
300	6830005648989	AR-330CF	\$90.00	-	CAR-300	\$325.00	320 - 350	D
3500	6830014310533	AR-3500	\$150.00	8120014311177	CAR-3500	\$625.00	370 - 400	E
6000		AR-6000	\$185.00		CAR-6000	\$1,250.00	450 - 500	6000
200 *ULTRA HIGH PURITY		AR-197UHPC	\$190.00		CAR-C197	\$243.75	190 - 210	1800

*UHP Argon Component Specification: Argon > 99.999%, Oxygen < 2ppm, Water < 4ppm, Dew Point < -88°F, Total Hydrocarbons (CH4) < 1ppm

1/ The refill price on gas cylinder exchange part numbers beginning with an "EX" includes basic cylinder maintenance services

2/ In psi column: A = 1800 psi; B = 2015 psi; C = 2265 psi; D = 2300/2400 psi; E = 3500/3600 psi; F = 6000 psi

Stoody Industrial & Welding Supply, Inc. has teamed with Haas Group International (HGI) to locally support this item under HGI/ Defense Logistics Agency - Aviation (DLAA) contract #SPM4AR-07-D-0100. Once your order has been placed Stoody Industrial & Welding Supply, Inc will arrange delivery of full cylinder(s), and pick-up of qualified empty cylinder(s) within 2 – 5 days and typically no later than 12 days (according to the Issue Priority Group [IPG] you select).



Non-MILSTRIP/FEDSTRIP items may be ordered directly from Stoody Industrial & Welding Supply, Inc.

To order your MILSTRIP/FEDSTRIP items, you may use these methods:

- (1) Service/Government agency automated ordering systems using MILSTRIP/FEDSTRIP (Standard Form 344) – (this is the preferred method)
- (2) Email your MILSTRIP/FEDSTRIP order to DLA's Customer Interaction Center at: DLAContactCenter@dla.mil
- (3) Call your MILSTRIP/FEDSTRIP order in to DESX, which uses voice recognition, at 1-877-DLA-CALL
- (4) Online shopping using a Government credit card through the DoD E-Mail at: <https://dod-emall.dla.mil> call 1-877-352-2255 DSN 661-7766



For MILSTRIP/FEDSTRIP item program questions, call 1-866-724-0932
To speak with a DLA Customer Interaction Center representative, call 1-877-DLA-CALL

For more Information on this Program see the Military Bottled Gas Ordering Guide