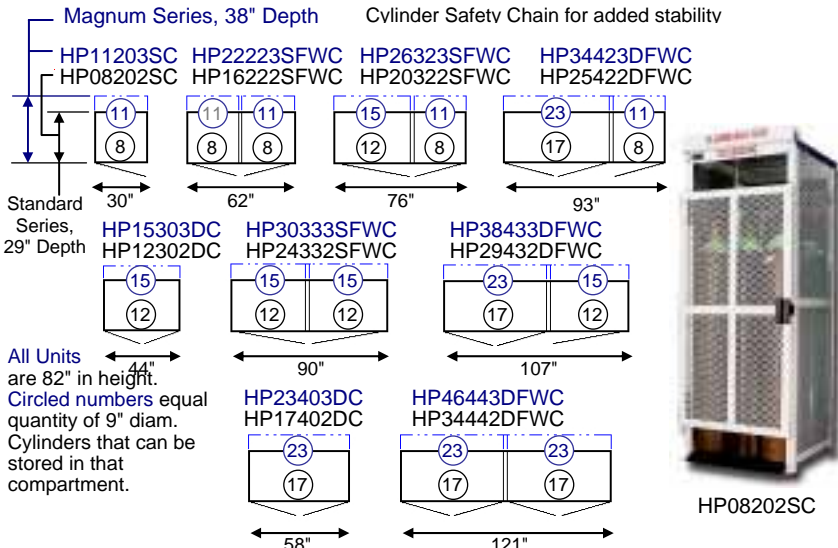


CYLINDER STORAGE RACKS & STANDS, STRAPS

CYLINDER STORAGE RACKS / LOCKERS

Powder Coated Steel (Screens, Tops & Backs are Pre-galvanized)
FIREWALL divider, standard on all doublewide units, allows storage of OXYGEN and FUEL GAS in same cabinet.



All Units are 82" in height.
Circled numbers equal quantity of 9" diam. Cylinders that can be stored in that compartment.

STANDARD	Price	MAGNUM	Price
HP08202SC	\$1,178.57 EA	HP11203SC	\$1,321.42 EA
HP12302DC	\$1,350.00 EA	HP15303DC	\$1,450.00 EA
HP16222SFWC	\$2,321.42 EA	HP22223SFWC	\$2,464.28 EA
HP17402DC	\$1,492.00 EA	HP23403DC	\$1,635.71 EA
HP20322SFWC	\$2,350.00 EA	HP26323SFWC	\$2,528.57 EA
HP24332SFWC	\$2,357.14 EA	HP30333SFWC	\$2,600.00 EA
HP25422DFWC	\$2,535.71 EA	HP34423DFWC	\$3,125.71 EA
HP29432DFWC	\$2,607.14 EA	HP38433DFWC	\$3,278.57 EA
HP34442DFWC	\$3,214.28 EA	HP46443DFWC	\$3,570.00 EA

JUSTRITE ALUMINUM (Not Shown) JUSTRITE®

10 Std Cylinder (1-door)	65" H x 30" W x 32" D	#23006	\$1,218.00 EA
20 Std Cylinder (2-door)	65" H x 60" W x 32" D	#23007	\$1,816.60 EA
12 LPG Horz. Cyl. (2-door Forklift)	49.5" H x 60" W x 32" D	#23004	\$1,728.78 EA

STRAP ASSEMBLIES

ADLER

ALL ASSEMBLIES HAVE 10,000 LB. CAPACITY AND FEATURE 2" WIDE HEAVY DUTY LOW STRETCH WEBBING.

Select the Assembly best suited to your needs!

Complete 12' Assembly pricing shown, for custom length information & pricing call

PRICE (12' length)

Part No.	STYLE	DESCRIPTION	PRICE (12' length)
1-12	1	Each end has 12" of 5/16" chain with grab hook.	\$98.00 EA
2-12	2	NOTE: 1/4" Grab Hook can be Supplied with Styles 1 and 2	\$96.00 EA
3-12	3	OVERALL LENGTH FIXED LENGTH "D" RING	\$88.00 EA
4-12	4	FLAT HOOK	\$88.00 EA
5-12	5	SAFETY HOOK	\$88.00 EA
6-12	6	PLAIN END OVERALL WEB LENGTH	\$72.00 EA

CYL. CART (DOLLY)



DEWAR CARTS



SINGLE CART w/stair climber

Handtruck for Dockman and Cylinder Transport:

• Excellent for service trucks and warehouses
Base: 9" X 13";
Wheel: 10 x 3.50 pneu-rim-brg
H: 52"; W: 24"; Wt. (lbs): 53

P/N CHT-10-3SC
\$597.14 EA

WARNING: Use extreme caution on stairways. 2 people min. needed to maintain control on steps



CYLINDER WALL BRACKETS & BENCH MOUNTS

HOLDS 7" TO 9 1/2" DIAMETER CYLINDERS

These double reinforced steel single and dual wall mount cylinder brackets are designed to be bolted to the wall and feature either nylon belting with spring loaded, quick release, nickel plated buckles or bright plated safety chain.

WIDTH: 22" DEPTH: 7"
WEIGHT: 5 lbs



WIDTH: 11" DEPTH: 6" WEIGHT: 3 lbs.

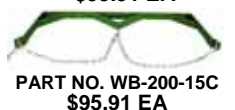


HOLDS 10" TO 15 1/2" DIAMETER CYLINDERS

WIDTH: 16" DEPTH: 12"
WEIGHT: 4 lbs.



WIDTH: 31" DEPTH: 12"
WEIGHT: 6 lbs



BENCH MOUNTS (HOLDS 7" TO 9 1/2" DIAMETER CYLINDERS)

A handy bracket that attaches to any bench or projection not wider than 2" by use of two swivel headed screws.

WIDTH: 16" DEPTH: 12" WEIGHT: 4 lbs.



Cylinder Brackets \$33.95 EA

Complies with OSHA regulations for transporting and storing of all fuel gases and compressed cylinders.

Part No.	Holds Cylinders:	Part No.	Holds Cylinders:
CH-104	3-7/8" to 4-3/8"	CH-185	8-1/2" to 9"
CH-145	5-1/4" to 5-3/4"	CH-109	9" to 9-3/4"
CH-105	5-3/4" to 6-3/8"	CH-110	10" to 10-3/4"
CH-106	6-1/2" to 7-1/4"	CH-112	12" to 13"
CH-107	7-1/4" to 8"	CH-114	14-1/2" to 15-1/4"
CH-108	8" to 8-3/4"		

SINGLE & DUAL CYLINDER STANDS

New concepts in cylinder floor stand designs. The cylinder can be rolled on or off with ease and firmly locked in place, or quickly unlocked with the cylinder placement band and large plastic turning knob. Will accommodate any cylinder from 7" to 9 1/2" in diameter.

