

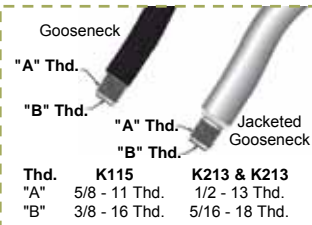


# Replacement Parts Suitable For: LINCOLN ELECTRIC®

# Lincoln® Style "K" Series Self-Shielded Flux Cored Welding Guns Replacement Parts



## K115, K126 & K264 Exploded Assembly



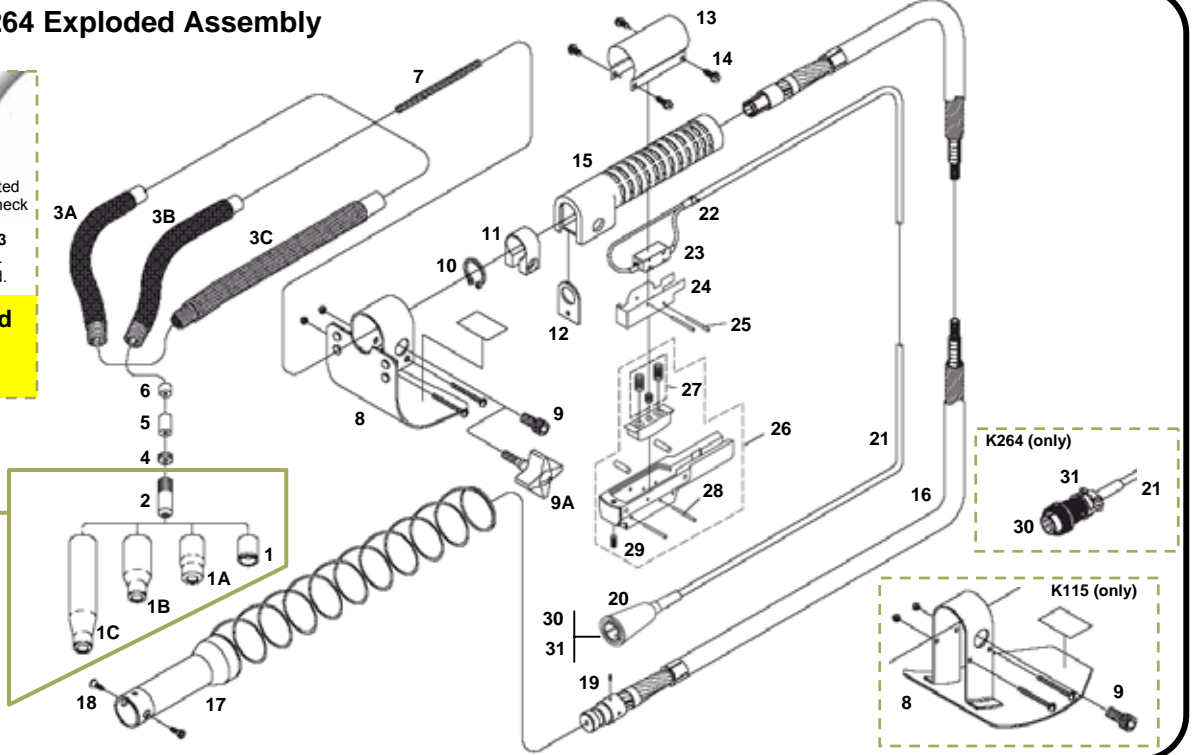
**Special length and bend goosenecks available upon request**

### FIELD NOTE 1

#### For Selection & Pricing

See Lincoln® Style "K" Series Replacement Parts (previous page).

Make sure that the parts Selected are for the correct Core Gun Number (Used With)



K115 Gun	K126 Gun	K264 Gun	Key No.	Order No.	Unit Price	Description	K115 Gun	K126 Gun	K264 Gun	Key No.	Order No.	Unit Price	Description
N/A	-	-	1	See Field Note 1	-	Thread protector	✓	N/A	N/A	7	PXT12931-5	\$1.80 EA	Replacement gooseneck liner 3/32"
-	-	-	1A	See Field Note 1	-	Insulated nozzle stickout	✓	N/A	N/A	7	PXT12931-7	\$1.80 EA	Gooseneck liner 7/64"-1/8"
N/A	-	-	1B	See Field Note 1	-	Insulated nozzle 2" stickout	✓	N/A	N/A	7	PXT12931-32	\$3.30 EA	Replacement gooseneck liner 1/16"-5/64"
-	-	-	1C	See Field Note 1	-	Insulated nozzle 2 3/4" stickout							
N/A	-	-	2	See Field Note 1	-	Contact tip .035	N/A	✓	✓	7	PXT12931-4	\$1.80 EA	Gooseneck liner (Std.)
N/A	-	-	2	See Field Note 1	-	Contact tip .045	N/A	✓	✓	7	PXT12931-19	\$1.80 EA	Gooseneck liner (XL 30°)
N/A	-	-	2	See Field Note 1	-	Contact tip .052	N/A	✓	✓	7	PXT12931-26	\$1.80 EA	Gooseneck liner (XL 30°)
-	-	-	2	See Field Note 1	-	Contact tip 1/16"	✓	N/A	✓	8	PXS12880	\$19.39 EA	Heat shield assembly
-	-	-	2	See Field Note 1	-	Contact tip .068	N/A	✓	✓	8	PXS13037	\$15.82 EA	Small Heat shield assembly
-	-	-	2	See Field Note 1	-	Contact tip .072							
-	-	-	2	See Field Note 1	-	Contact tip 5/64"							
-	-	-	2	See Field Note 1	-	Contact tip 3/32"	✓	✓	✓	9	PXT14438	\$0.90 EA	Socket head cap screw
-	-	-	2	See Field Note 1	-	Contact tip 7/64"	N/A	N/A	✓	9A	PXT13858	\$5.50 EA	Hand screw assembly
-	-	-	2	See Field Note 1	-	Contact tip .120	✓	✓	✓	10	PXS9776-7	\$0.50 EA	Retaining ring
-	-	-	2	See Field Note 1	-	Contact tip 1/8"	✓	✓	✓	11	PXS15921-2	\$3.96 EA	Clamp
✓	N/A	N/A	3A	PXM11474-3/32	\$39.80 EA	82° Gooseneck 3/32"-1/8"	✓	✓	✓	12	PXT12027	\$1.51 EA	Spatter shield
✓	N/A	N/A	3A	PXM11474-3/32J	\$39.80 EA	82° Jacketed gooseneck 3/32"-1/8"	✓	✓	✓	13	PXS15922-1	\$4.60 EA	Switch housing clamp
✓	N/A	N/A	3A	PXM11474-120	\$39.80 EA	82° Gooseneck 7/64"-1/8"	✓	✓	✓	14	PX18-404	\$0.50 EA	Pan head screw #8-32 x 5/16" (4 req'd)
✓	N/A	N/A	3A	PXM11474-120J	\$39.80 EA	82° Gooseneck 7/64"-1/8"	✓	✓	✓	15	PXM10102-1	\$16.67 EA	Handle
✓	N/A	N/A	3A	PXM14027-82-5/64	\$42.53 EA	82° Jacketed gooseneck 1/16"-5/64"	✓	N/A	N/A	16	PXL5728-10	\$157.14 EA	Conductor cable assembly 10'
N/A	✓	✓	3A	PXM11476	\$25.07 EA	50° gooseneck 6" (Std.)	✓	N/A	N/A	16	PXL5728-5	\$207.14 EA	Conductor cable assembly 15'
N/A	✓	✓	3A	PXM11476J	\$33.40 EA	50° jacketed gooseneck	N/A	✓	✓	16	PX15-425	\$287.57 EA	Conductor cable assembly 25'
N/A	✓	✓	3A	PXM14188	\$37.52 EA	90° gooseneck 6"	N/A	✓	✓	16	PXL5993-2	\$114.28 EA	Conductor cable assembly 8'
N/A	✓	✓	3A	PXM14188J	\$51.00 EA	90° jacketed gooseneck 6"	N/A	✓	✓	16	PXL6250-2	\$157.14 EA	Conductor cable assembly 10'
✓	N/A	N/A	3B	PXM11510-3/32	\$34.24 EA	45° Gooseneck 3/32"-1/8"	N/A	✓	✓	16	PXL6250-1	\$207.14 EA	Conductor cable assembly 15'
✓	N/A	N/A	3B	PXM11510J-3/32	\$39.80 EA	45° Jacketed gooseneck 3/32"-1/8"	✓	✓	✓	17	PXS13099	\$6.77 EA	INSIDES Insulator sleeve w/spring
✓	N/A	N/A	3B	PXM11510-120	\$34.06 EA	45° Gooseneck 7/64"-1/8"	✓	✓	✓	18	PX18-881	\$0.50 EA	Flat head cap screw #8-32 x 3/8" (2 req'd)
✓	N/A	N/A	3B	PXM11510-120J	\$40.90 EA	45° jacketed gooseneck 7/64"-1/8"	✓	✓	✓	19	PX18-892	\$0.50 EA	Socket head set screw #8-32 x 5/16"
✓	N/A	N/A	3B	PXM14027-45-5/64	\$42.53 EA	45° Gooseneck 1/16"-5/64"	✓	✓	N/A	20	PXS19757	\$10.50 EA	Trigger plug (includes PXS12020-6 & PXS12024-1)
N/A	✓	✓	3B	PXM13304-6	\$26.03 EA	30° gooseneck 6"	✓	✓	N/A	21	PXM12462-10	\$112.85 EA	Switch assembly 10'
N/A	✓	✓	3B	PXM13304-6J	\$33.40 EA	30° jacketed gooseneck	✓	✓	N/A	21	PXM12462-15	\$122.83 EA	Switch assembly 15'
N/A	✓	✓	3B	PXM13304-12	\$38.62 EA	30° gooseneck (XL 12°)	✓	✓	N/A	21	PXM12462-25	\$178.00 EA	Switch assembly 25'
N/A	✓	✓	3B	PXM13304-12J	\$51.00 EA	30° jacketed gooseneck	N/A	N/A	✓	21	PXM12956-8	\$136.19 EA	Switch assembly 8'
N/A	✓	✓	3B	PXM13304-12-50	\$38.62 EA	50° gooseneck (XL 12°)	N/A	N/A	✓	21	PXM12956-10	\$139.39 EA	Switch assembly 10'
✓	N/A	N/A	3B	PXM13304-12-50J	\$51.00 EA	50° jacketed gooseneck	N/A	N/A	✓	21	PXM1295615	\$141.00 EA	Switch assembly 15'
✓	N/A	N/A	3C	PX13-443-14	\$39.82 EA	Straight Gooseneck w/5° bend, 14" long	✓	✓	✓	22	PX16-320	\$0.50 EA	Cable clamp
✓	N/A	N/A	3C	PX13-443-25	\$39.82 EA	25° Gooseneck 3/32"-1/8"	✓	✓	✓	23	PXT12485	\$17.21 EA	Micro switch
N/A	✓	✓	3C	PXM13304-12-5	\$40.20 EA	Straight gooseneck w/5° bend	✓	✓	✓	24	PXS14878	\$0.50 EA	Trigger housing insulator
N/A	✓	✓	3C	PXM14188-5	\$37.52 EA	Straight gooseneck w/5° bend	✓	✓	✓	25	PX18-332	\$0.50 EA	Roll pin 3/32" x 7/8"
N/A	✓	✓	4	PXT12932-1	\$0.60 EA	Liner locking screw 5/16"-18	✓	✓	✓	26	PX16-400	\$39.95 EA	Trigger housing assembly
N/A	✓	✓	4	PXT12932-2	\$0.60 EA	Liner locking screw 3/8"-16	✓	✓	✓	27	PX16-151	\$0.95 EA	INSIDES Coil spring set (3 springs)
N/A	✓	✓	5	PXT12977-1	\$0.66 EA	Steel insert	✓	✓	✓	28	PX18-227	\$0.50 EA	Roll pin 3/32" x 3/4"
✓	N/A	N/A	5	PXT12977-2	\$1.06 EA	Steel insert	✓	✓	✓	29	PX18-628	\$0.50 EA	Socket head screw #8-32 x 7/16"
N/A	✓	✓	6	PXT12576-1	\$3.16 EA	Ceramic insert 3/32"	✓	✓	N/A	30	PXS12020-6	\$31.20 EA	INSIDES 5 Prong Plug
✓	N/A	N/A	6	PXT12576-2	\$3.16 EA	Ceramic insert	N/A	N/A	✓	30	PXS12020-16	\$26.76 EA	3 Prong Plug
N/A	✓	✓	6	PXT12576-3	\$3.16 EA	Ceramic insert .120	✓	✓	N/A	31	PXS12024-1	\$8.60 EA	Clamp for 5 Prong Plug

N/A = Not Applicable

SIWS is in no way affiliated with PROFAX or LINCOLN ELECTRIC®. The parts advertised for sale are not genuine LINCOLN ELECTRIC® parts, but are parts made for and by PROFAX. References to PROFAX and LINCOLN ELECTRIC® machines, torches and numbers are for your convenience only. We reserve the right to substitute genuine LINCOLN ELECTRIC® parts WELDING PRODUCTS parts in place of PROFAX parts.